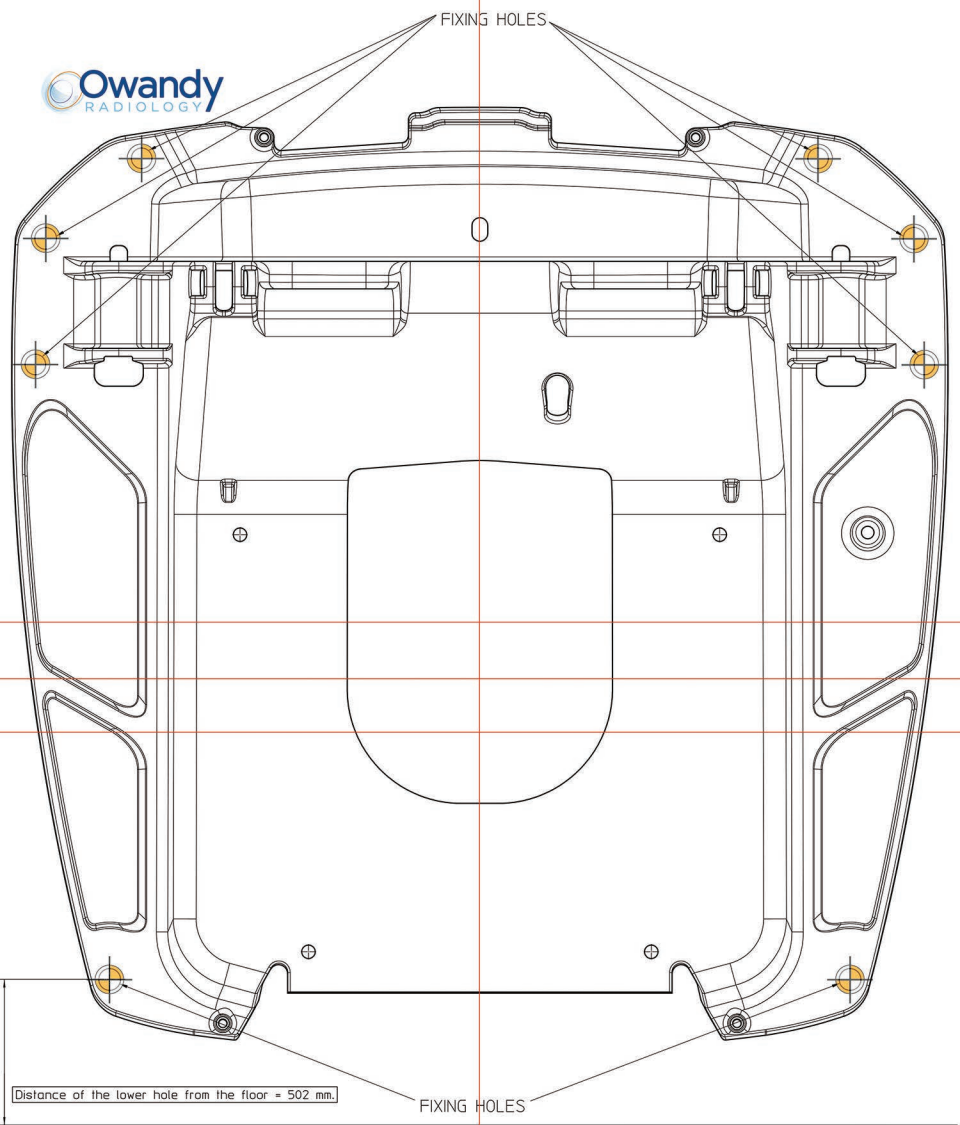


FIXING HOLES



Distance of the lower hole from the floor = 502 mm.

FIXING HOLES